

**PLEASE CHECK WWW.MOLEX.COM FOR LATEST PART INFORMATION**

**Part Number:** [1044419702](#)  
**Status:** **Active**  
**Description:** .110 P-Lock Flag Terminal, Tin

**Documents:**

[Drawing \(PDF\)](#) [RoHS Certificate of Compliance \(PDF\)](#)  
[Product Specification PS-104441-001 \(PDF\)](#)

**General**

Product Family	Crimp Terminals
Series	<a href="#">104441</a>
Crimp Quality Equipment	Yes
Product Name	MP-Lock™

**Physical**

Durability (mating cycles max)	10
Gender	Female
Material - Metal	Brass
Material - Plating Mating	Tin
Material - Plating Termination	Tin
Packaging Type	Reel
Plating min: Mating (µin)	32.00
Plating min: Mating (µm)	0.800
Plating min: Termination (µin)	32.00
Plating min: Termination (µm)	0.80
Wire Insulation Diameter	N/A
Wire Size AWG	24
Wire Size mm²	N/A

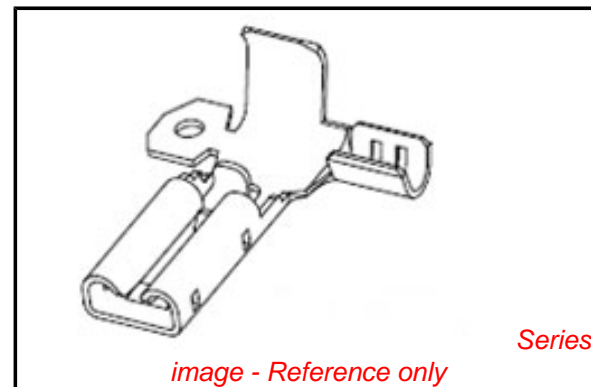
**Electrical**

Current - Maximum per Contact	2.5A
-------------------------------	------

**Material Info**

**Reference - Drawing Numbers**

Packaging Specification	PK-104441-001
Product Specification	PS-104441-001
Sales Drawing	SD-104441-001



*image - Reference only*

**EU RoHS**

**ELV and RoHS  
Compliant**  
**REACH SVHC  
Contains SVHC: No  
Halogen-Free  
Status  
Not Reviewed**

**China RoHS**

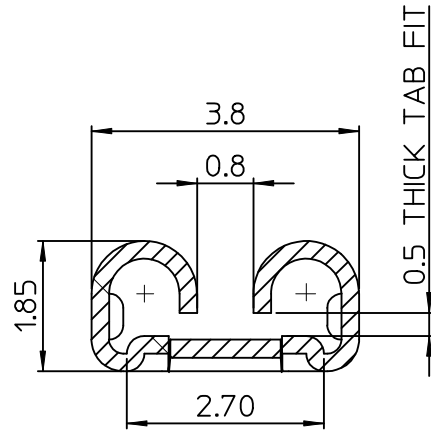


**Need more information on product  
environmental compliance?**

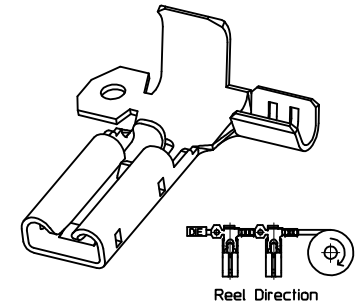
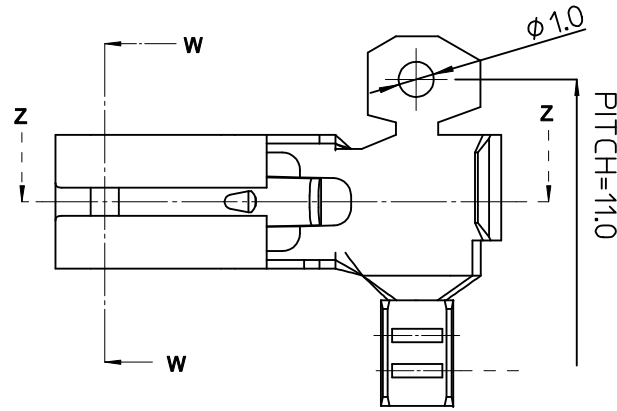
Email [productcompliance@molex.com](mailto:productcompliance@molex.com)  
 For a multiple part number RoHS Certificate of  
 Compliance, [click here](#)

Please visit the [Contact Us](#) section for any  
 non-product compliance questions.

**Search Parts in this Series**  
[104441Series](#)

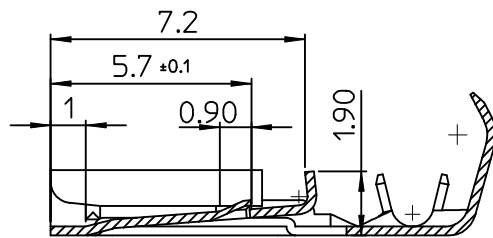
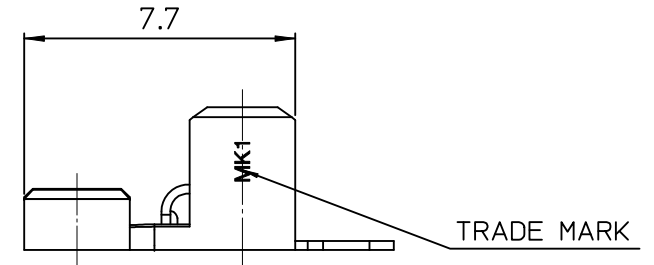
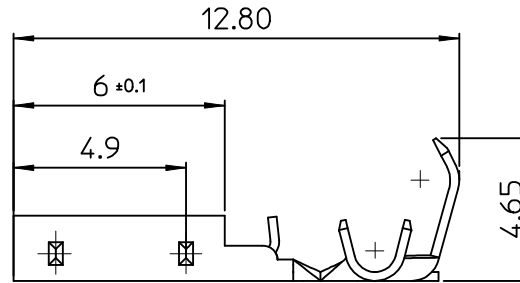
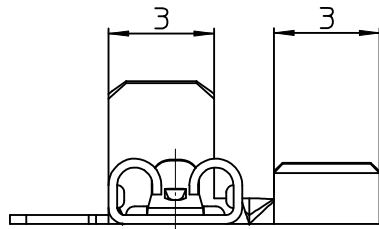


**SECTION W-W**



**NOTES**

1. MATERIAL : BRASS
2. FINISH : PRE-TIN PLATED  
0.8~1.8 $\mu$ m TIN PLATING  
OVERALL 0.3~0.8 $\mu$ m COPPER PLATING
3. PRODUCT SPECIFICATION : PS-104441-001
4. PACKING SPECIFICATION : PK-104441-001
5. CRIMPING SPECIFICATION : CS-104441-001
6. MATED TAB : 0.5 t
7. APPLICABLE WIRE RANGE :  
AWG #24 (UL1007)  
AWG #24+AWG #24 (UL1061)



**SECTION Z-Z**

<p><b>NEW RELEASED</b> EC NO: KOR2009-0084 DRAWN: JHPARK01 2009/03/02 CHKD: WY. YANG 2009/03/02 APPR: YUNSIKKIM 2009/03/02</p>	<p>QUALITY SYMBOLS ▽=0 ▽=0</p>	GENERAL TOLERANCES (UNLESS SPECIFIED)		DIMENSION STYLE <b>MM ONLY</b>	SCALE <b>7:1</b>	DESIGN UNITS <b>METRIC</b>	THIRD ANGLE PROJECTION		
		mm	INCH	DRAWN BY JH. PARK		DATE 2009/02/27		<p><b>.110 P-LOCK FLAG TERMINAL</b></p>	
		4 PLACES ± ---	± ---	CHECKED BY WY. YANG		DATE 2009/02/27			
		3 PLACES ± ---	± ---	APPROVED BY EH. JUNG		DATE 2009/02/37		<p><b>MOLEX INCORPORATED</b></p>	
2 PLACES ± 0.20	± ---	MATERIAL NO.		DOCUMENT NO.		SHEET NO.			
1 PLACE ± 0.30	± ---	ANGULAR ± 1 °		SEE NOTES		SD-104441-001		1 OF 01	
DRAFT WHERE APPLICABLE MUST REMAIN WITHIN DIMENSIONS				SIZE A3		THIS DRAWING CONTAINS INFORMATION THAT IS PROPRIETARY TO MOLEX INCORPORATED AND SHOULD NOT BE USED WITHOUT WRITTEN PERMISSION			